

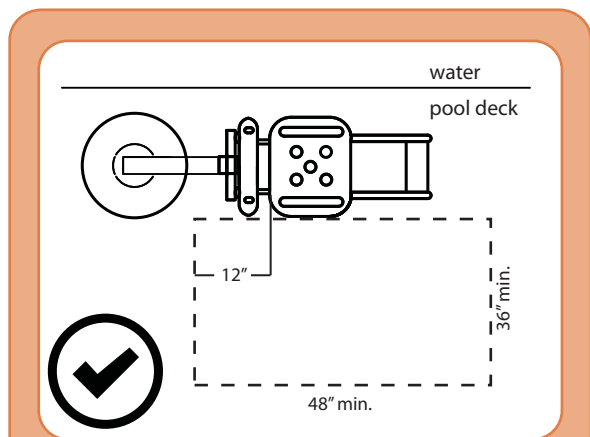
## Understanding the Pool Lift Clear Deck Space Requirement (1009.2.3)

Section 1009.2 of the most recent ADA legislation addresses the requirements for Pool Lifts. There are a host of requirements outlined in 1009.2 but one in particular can have an adverse impact on compliance: 1009.2.3 Clear Deck Space.

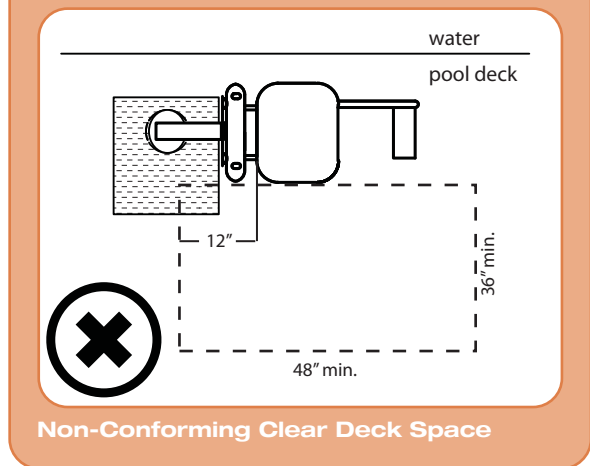
This Clear Deck Space requirement states: **On the side of the seat opposite the water, a clear deck space shall be provided parallel with the seat. The space shall be 36 inches (915 mm) wide minimum and shall extend forward 48 inches (1220 mm) from a line located 12 inches (305 mm) behind the rear edge of the seat. The clear deck space shall not have a slope not steeper than 1:48.<sup>1</sup>**

inches of Clear Deck Space that is specified behind the rear edge of the seat provides an unobstructed area for transfer assistance if necessary.

**All S.R.Smith Pool Lifts meet the requirements of 1009.2.3**

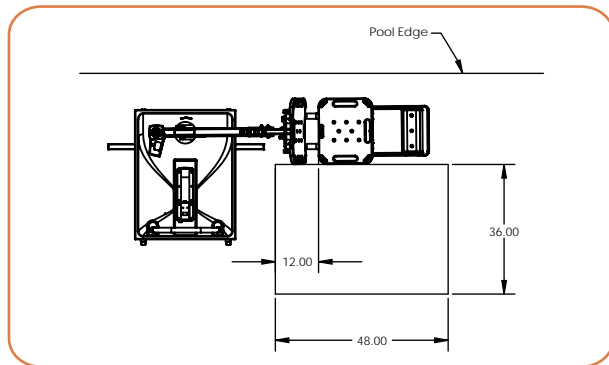


**Conforming Clear Deck Space**

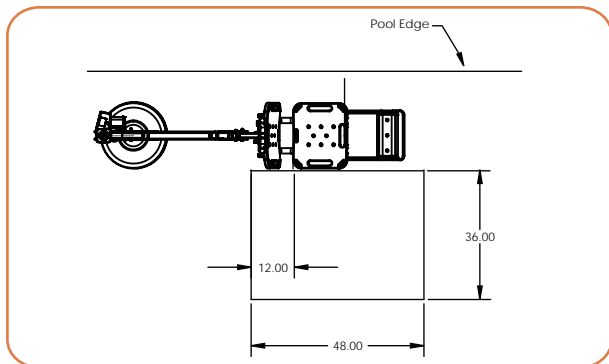


**Non-Conforming Clear Deck Space**

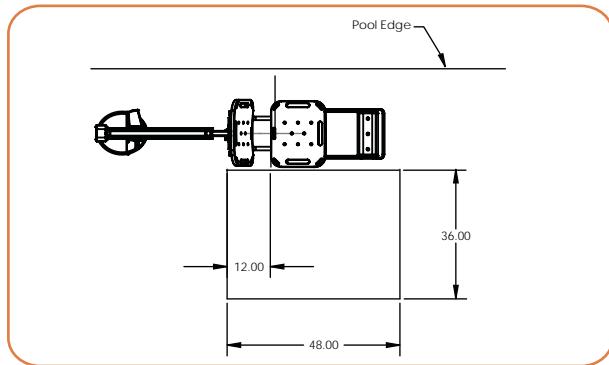
The Clear Deck Space requirement is designed to provide an unobstructed area next to the Pool Lift that will allow the user to easily and safely transfer from their wheelchair or other mobility device onto the lift. Additionally, the 12



**PAL (Portable Aquatic Lift)**



**Splash! Lift**



**aXs Lift**

Source:  
<sup>1</sup><http://www.ada.gov/regs2010/2010ADASTandards/2010ADASTandards.htm#c10>