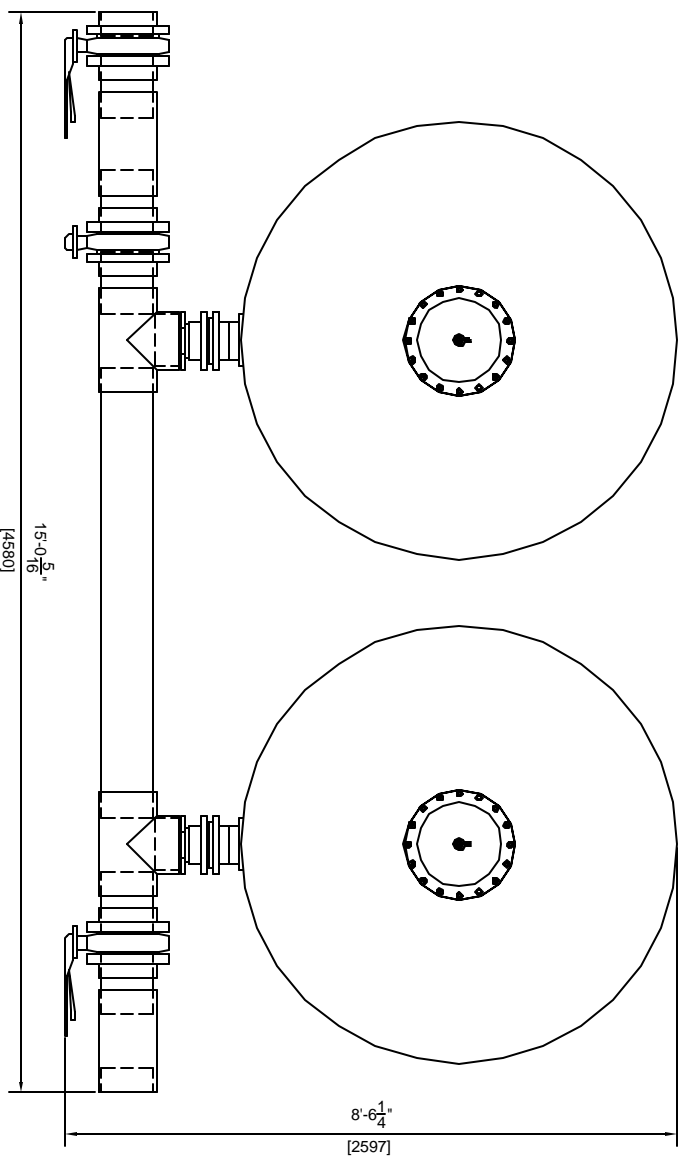


- GENERAL NOTES:
1. MEDIA NOT INCLUDED WITH FILTER
 2. CONCRETE SLAB TO BE DESIGNED BY OTHERS
 3. FILTER MADE FROM HIGH STRENGTH FIBERGLASS AND RESINS
 4. FILTERS HAVE UV STABILIZED CLEAR COAT
 5. ALL INTERNAL COMPONENTS ARE CONSTRUCTED OF SCHEDULE 80 PVC OR EQUAL.

FILTER DATA	
TOTAL SURFACE AREA:	54,688 SQ. FT.
MAX WORKING PRESSURE:	50 PSI
MAX FLOW RATE:	20 GPM / SQ. FT.
MEDIA REQUIREMENTS	
SAND:	6,850 LBS/EA
GRAVEL:	1,650 LBS/EA
WEIGHTS	
FILTER SHIPPING WEIGHT:	695 LBS EA
FILTER OPERATING WEIGHT:	27,500 LBS



ASTRAL POOL
USA

DUAL VERTICAL SAND FILTER (06633)
71"-6" WITH 8" 5 VALVE MANIFOLD

DRAWN BY: **MM** DWG. NO: **06633-5** REV:

SCALE: 3/8" = 1" DATE: **11/14/02** CHECKED: