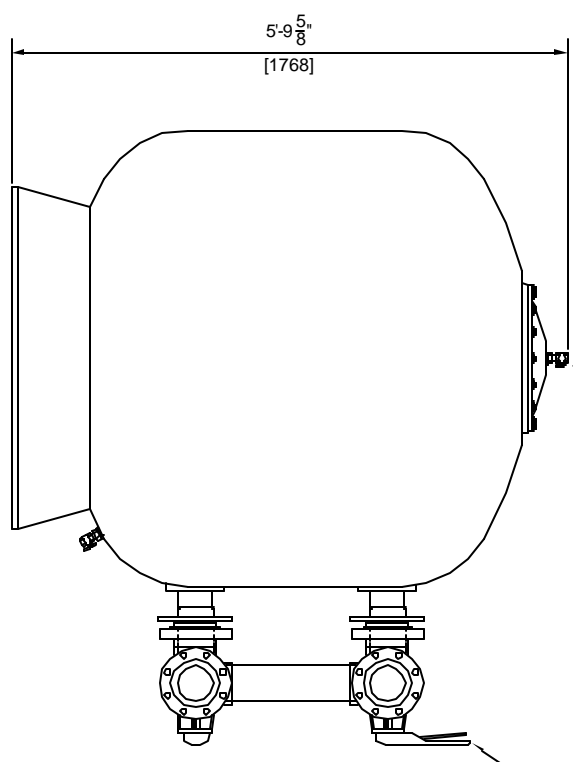


3/4" MANUAL AIR VENT

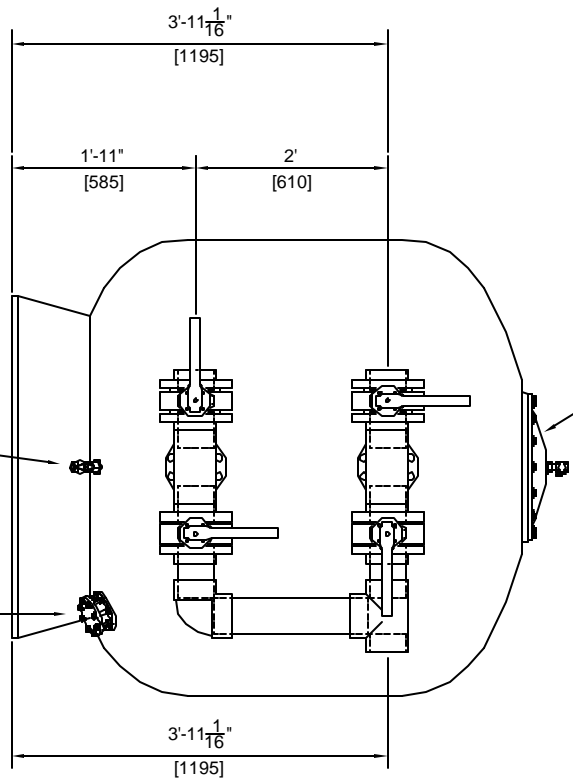
4" BUTTERFLY VALVE



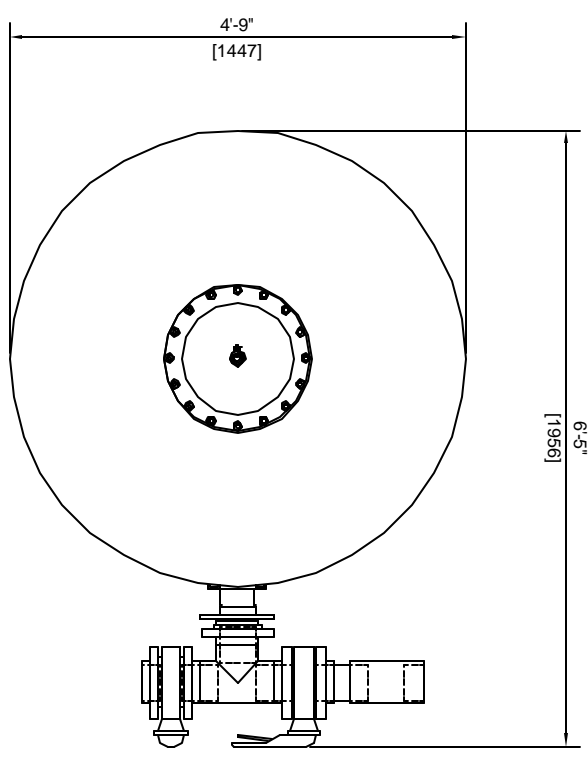
16" Ø MANWAY ACCESS

3/4" WATER DRAIN

4" SAND DRAIN PORT



- GENERAL NOTES:**
1. MEDIA NOT INCLUDED WITH FILTER
 2. CONCRETE SLAB TO BE DESIGNED BY OTHERS
 3. FILTER MADE FROM HIGH STRENGTH FIBERGLASS AND RESINS
 4. FILTERS HAVE UV STABILIZED CLEAR COAT
 5. ALL INTERNAL COMPONENTS ARE CONSTRUCTED OF SCHEDULE 80 PVC OR EQUAL.



6'-5" [1956]

FILTER DATA

TOTAL SURFACE AREA:	16.58 SQ. FT.
MAX WORKING PRESSURE:	50 PSI.
MAX FLOW RATE:	20 GPM / SQ. FT.

MEDIA REQUIREMENTS

SAND:	4,100 LBS
GRAVEL:	1,100 LBS

WEIGHTS

FILTER SHIPPING WEIGHT	510 LBS
FILTER OPERATING WEIGHT	8,300 LBS



**VERTICAL SAND FILTER (06681-1)
55" WITH 4" 4 VALVE MANIFOLD**

DRAWN BY:	MM	DWG. NO.:	06681-2	REV.:	
SCALE:	1/2" = 1"	DATE:	11/8/02	CHECKED:	