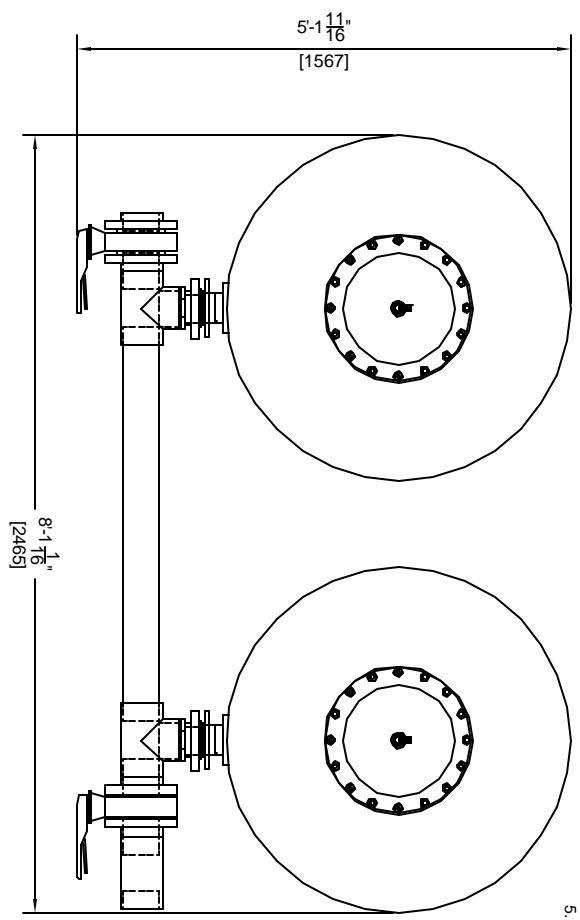


- GENERAL NOTES:**
1. MEDIA NOT INCLUDED WITH FILTER
  2. CONCRETE SLAB TO BE DESIGNED BY OTHERS
  3. FILTER MADE FROM HIGH STRENGTH FIBERGLASS AND RESINS
  4. FILTERS HAVE UV STABILIZED CLEAR COAT
  5. ALL INTERNAL COMPONENTS ARE CONSTRUCTED OF SCHEDULE 80 PVC OR EQUAL.

FILTER DATA	
TOTAL SURFACE AREA:	18.52 SQ. FT.
MAX WORKING PRESSURE:	50 PSI.
MAX FLOW RATE:	20 GPM / SQ. FT.
MEDIA REQUIREMENTS	
SAND:	2,300 LBS EA.
GRAVEL:	650 LBS EA.
WEIGHTS	
FILTER SHIPPING WEIGHT:	330 LBS EA.
FILTER OPERATING WEIGHT:	9,300 LBS



**ASTRAL POOL**  
USA

---

**DUAL VERTICAL SAND FILTER (06682)**  
42" 3" WITH 4" 5 VALVE MANIFOLD

DRAWN BY: **MM** DWG NO: **06682-5** REV: \_\_\_\_\_  
SCALE: 1/2" = 1" DATE: 10/29/02 CHECKED: \_\_\_\_\_