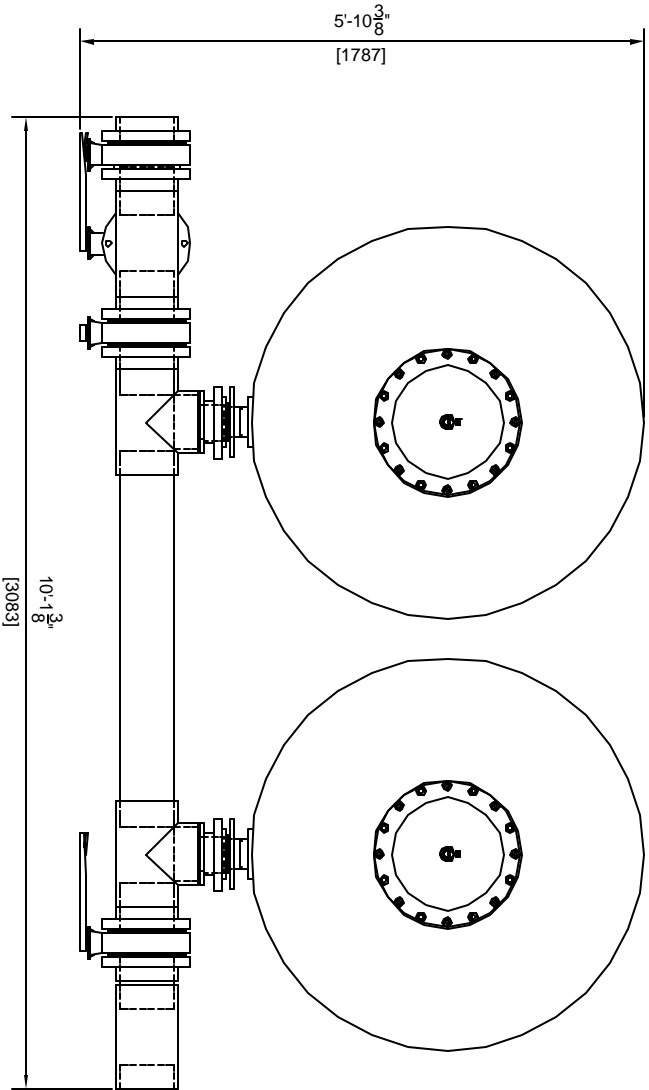


- GENERAL NOTES:**
1. MEDIA NOT INCLUDED WITH FILTER
 2. CONCRETE SLAB TO BE DESIGNED BY OTHERS
 3. FILTER MADE FROM HIGH STRENGTH FIBERGLASS AND RESINS
 4. FILTERS HAVE UV STABILIZED CLEAR COAT
 5. ALL INTERNAL COMPONENTS ARE CONSTRUCTED OF SCHEDULE 80 PVC OR EQUAL.

FILTER DATA	
TOTAL SURFACE AREA:	12.16 SQ. FT.
MAX WORKING PRESSURE:	50 PSI.
MAX FLOW RATE:	20 GPM / SQ. FT.
MEDIA REQUIREMENTS	
SAND:	3,050 LBS
GRAVEL:	650 LBS
WEIGHTS	
FILTER SHIPPING WEIGHT:	502 LBS
FILTER OPERATING WEIGHT:	12,500 LBS



DUAL VERTICAL SAND FILTER (06683)
 47" 4" WITH 6" 5 VALVE MANIFOLD



SCALE: 1/2" = 1'
 DRAWN BY: MM
 DATE: 11/12/02
 DWG. NO.: 06683-5
 CHECKED:
 REV: