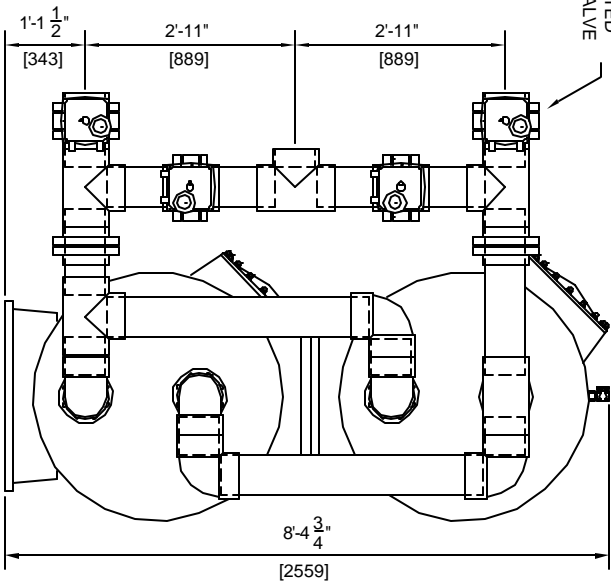


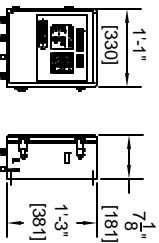
6" ELECTRICALLY ACTUATED BUTTERFLY VALVE



- GENERAL NOTES:**
1. MEDIA NOT INCLUDED WITH FILTER
  2. CONCRETE SLAB TO BE DESIGNED BY OTHERS
  3. FILTER MADE FROM HIGH STRENGTH FIBERGLASS AND RESINS
  4. FILTERS HAVE UV STABILIZED CLEAR COAT
  5. ALL INTERNAL COMPONENTS ARE CONSTRUCTED OF SCHEDULE 80 PVC.
  6. MANHOLE CAN BE LOCATED ON EITHER SIDE OF FILTER. PLEASE SPECIFY AT TIME OF ORDER.
  7. SAND DRAIN AND WATER DRAIN ARE PLACED ON THE SAME SIDE AS THE MANHOLE.

**FILTER DATA**

TOTAL SURFACE AREA:	21 SQ. FT.
MAX WORKING PRESSURE:	50 PSI.
MAX FLOW RATE:	20 GPM / SQ. FT.
<b>MEDIA REQUIREMENTS</b>	
SAND:	2,100 LBS
GRAVEL:	0 LBS
<b>WEIGHTS</b>	
FILTER SHIPPING WEIGHT:	510 LBS
FILTER OPERATING WEIGHT:	9,500 LBS



AUTOMATIC CONTROL PANEL

**ASTRAL POOL**



STACKED HORIZONTAL FILTER (11319)  
42"x75" W/ 6" 4-VALVE AUTO MANIFOLD

DRAWN BY:	MM	DATE:	9/27/02
ENG. NO.:	11319-4 AUTO	CHECKED:	
SCALE:	3/8" = 1"	REV.:	