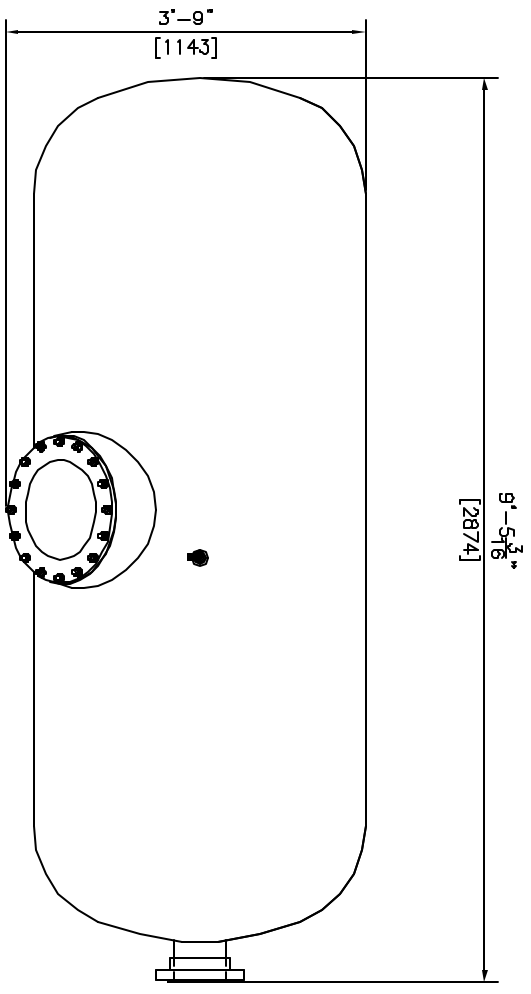


- GENERAL NOTES:
1. MEDIA NOT INCLUDED WITH FILTER
 2. CONCRETE SLAB TO BE DESIGNED BY OTHERS
 3. FILTER MADE FROM HIGH STRENGTH FIBERGLASS AND RESINS
 4. FILTERS HAVE UV STABILIZED CLEAR COAT
 5. ALL INTERNAL COMPONENTS ARE CONSTRUCTED OF SCHEDULE 80 PVC.
 6. MANHOLE CAN BE LOCATED ON EITHER SIDE OF FILTER. PLEASE SPECIFY AT TIME OF ORDER.
 7. SAND DRAIN AND WATER DRAIN ARE PLACED ON THE SAME SIDE AS THE MANHOLE.



FILTER DATA	
TOTAL SURFACE AREA:	30 SQ. FT.
MAX WORKING PRESSURE:	50 PSI.
MAX FLOW RATE:	20 GPM / SQ. FT.
MEDIA REQUIREMENTS	
SAND:	3,400 LBS
GRAVEL:	0 LBS
WEIGHTS	
FILTER SHIPPING WEIGHT:	726 LBS
FILTER OPERATING WEIGHT:	6,831 LBS

ASTRAL POOL
U S A

HORIZONTAL SAND FILTER (11330)
42" 106" WITH 6" CONNECTIONS

DRAWN BY:	MM	DWG NO.:	11330A	REV:
SCALE:	1/2" = 1'	DWG DATE:	08/19/02	SHEET 1 OF 1