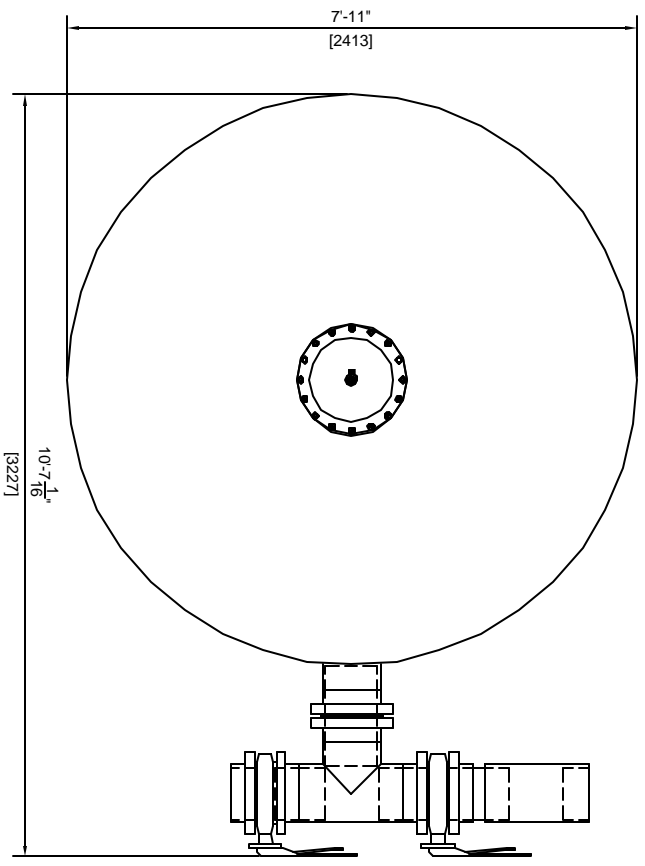


- GENERAL NOTES:**
1. MEDIA NOT INCLUDED WITH FILTER
 2. CONCRETE SLAB TO BE DESIGNED BY OTHERS
 3. FILTER MADE FROM HIGH STRENGTH FIBERGLASS AND RESINS WITH INTERNAL GELCOAT.
 4. ALL FILTERS HAVE UV STABILIZED CLEAR COAT
 5. ALL INTERNAL COMPONENTS ARE CONSTRUCTED OF SCHEDULE 80 PVC OR EQUAL.

FILTER DATA	
TOTAL SURFACE AREA:	46.72 SQ. FT.
MAX WORKING PRESSURE:	50 PSI.
MAX FILTRATION RATE:	17.1 GPM / SQ. FT.
MAX FLOW RATE:	796 GPM
MEDIA REQUIREMENTS	
SAND:	5,750 LBS
GRAVEL:	11,650 LBS
WEIGHTS	
FILTER SHIPPING WEIGHT:	1,124 LBS
FILTER OPERATING WEIGHT:	31,400 LBS



ASTRAL POOL

USA

VERTICAL FILTER (11816)
93" WITH 8" 4 VALVE MANIFOLD

DRAWN BY:	MM	DWG. NO.:	11816-2A
SCALE: 3/8" = 1"	DATE: 11/12/02	CHECKED:	REV: