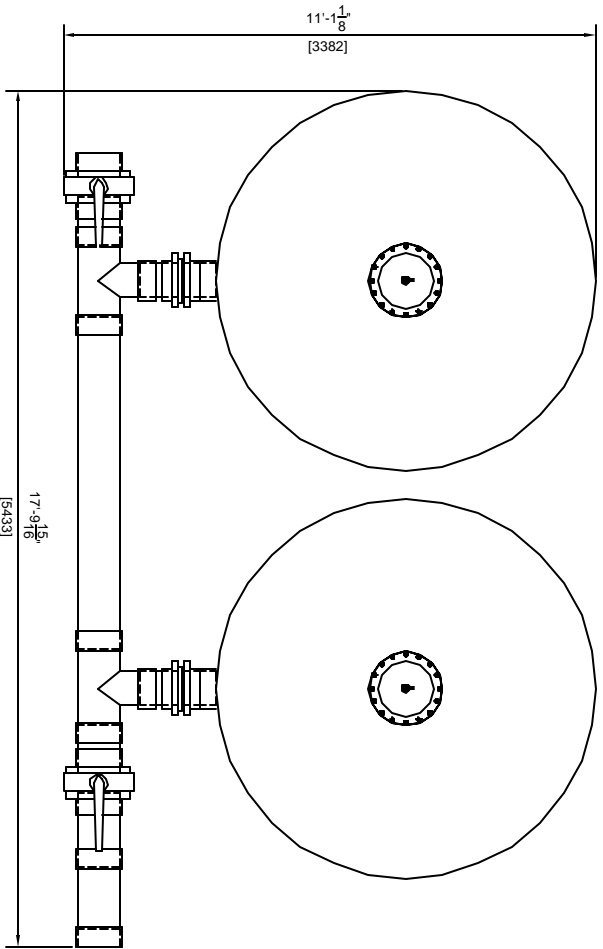



- GENERAL NOTES:**
1. MEDIA NOT INCLUDED WITH FILTER
 2. CONCRETE SLAB TO BE DESIGNED BY OTHERS
 3. FILTER MADE FROM HIGH STRENGTH FIBERGLASS AND RESINS WITH INTERNAL GELCOAT.
 4. ALL FILTERS HAVE UV STABILIZED CLEAR COAT
 5. ALL INTERNAL COMPONENTS ARE CONSTRUCTED OF SCHEDULE 80 PVC OR EQUAL.

FILTER DATA	
TOTAL SURFACE AREA:	93.44 SQ. FT.
MAX WORKING PRESSURE:	50 PSI
MAX FLOW RATE:	20 GPM / SQ. FT.
MEDIA REQUIREMENTS	
SAND:	5,750 LBS EA.
GRAVEL:	1,650 LBS EA.
WEIGHTS	
FILTER SHIPPING WEIGHT:	1,124 LBS EA.
FILTER OPERATING WEIGHT:	56,400 LBS



ASTRAL POOL		
USA		
DUAL VERTICAL SAND FILTER (11816)		
93"-8" WITH 10" 4 VALVE MANIFOLD		
DRAWN BY:	MM	DWG. NO.: 11816-4
SCALE: 1/4" = 1'	DATE: 11/18/02	CHECKED:
REV:		