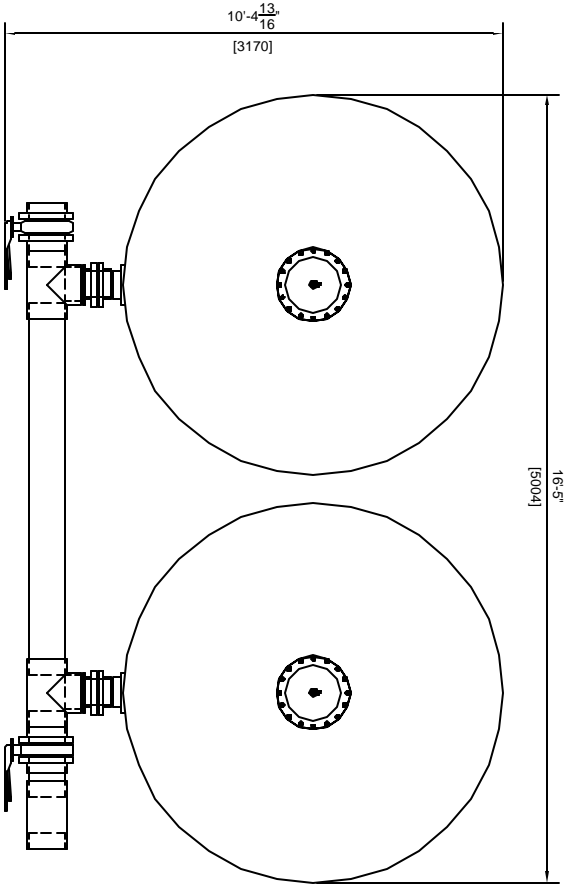


- GENERAL NOTES:**
1. MEDIA NOT INCLUDED WITH FILTER
  2. CONCRETE SLAB TO BE DESIGNED BY OTHERS
  3. FILTER MADE FROM HIGH STRENGTH FIBERGLASS AND RESINS WITH INTERNAL GELCOAT.
  4. ALL FILTERS HAVE UV STABILIZED CLEAR COAT
  5. ALL INTERNAL COMPONENTS ARE CONSTRUCTED OF SCHEDULE 80 PVC OR EQUAL.



FILTER DATA	
TOTAL SURFACE AREA:	46.72 SQ. FT.
MAX WORKING PRESSURE:	50 PSI
MAX FLOW RATE:	20 GPM / SQ. FT.
MEDIA REQUIREMENTS	
SAND:	5,750 LBS
GRAVEL:	1,850 LBS
WEIGHTS	
FILTER SHIPPING WEIGHT:	1,124 LBS
FILTER OPERATING WEIGHT:	96,200 LBS

**ASTRAL POOL**  
USA

**DUAL VERTICAL SAND FILTER (11821)**  
93"-6" WITH 8" 4 VALVE MANIFOLD

DRAWN BY: **MM** DWG NO: **11821-4** REV:  
SCALE: 1/4" = 1" DATE: 11/15/02 CHECKED: