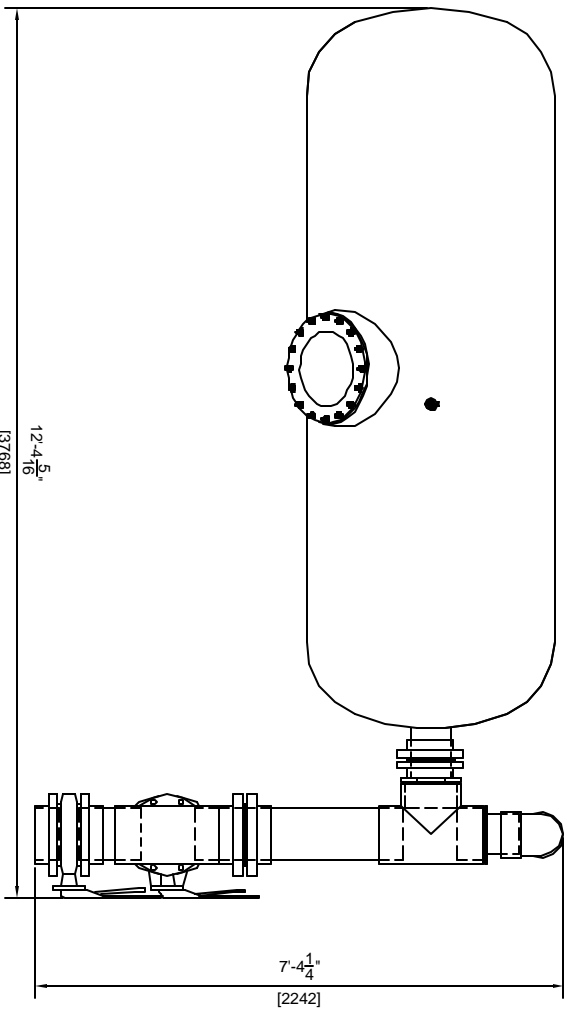


- GENERAL NOTES:**
1. MEDIA NOT INCLUDED WITH FILTER
  2. CONCRETE SLAB TO BE DESIGNED BY OTHERS
  3. FILTER MADE FROM HIGH STRENGTH FIBERGLASS AND RESINS
  4. FILTERS HAVE UV STABILIZED CLEAR COAT
  5. ALL INTERNAL COMPONENTS ARE CONSTRUCTED OF SCHEDULE 80 PVC.
  6. MANHOLE CAN BE LOCATED ON EITHER SIDE OF FILTER. PLEASE SPECIFY AT TIME OF ORDER.
  7. SAND DRAIN AND WATER DRAIN ARE PLACED ON THE SAME SIDE AS THE MANHOLE.

FILTER DATA	
TOTAL SURFACE AREA:	68 SQ. FT.
MAX WORKING PRESSURE:	50 PSI
MAX FLOW RATE:	20 GPM / SQ. FT.
MEDIA REQUIREMENTS	
SAND:	3,800 LBS
GRAVEL:	0 LBS
WEIGHTS	
FILTER SHIPPING WEIGHT:	814 LBS EA.
FILTER OPERATING WEIGHT:	15,905 LBS



STACKED HORIZONTAL (20895)  
42"x18"x6" W/ 8" 4 VALVE MANIFOLD

**ASTRAL POOL**

USA

MM/ DWG NO. 20895A-4

12/1/202

SHEET 1 OF 1

12'-4 5/16"

[3768]

7'-4 1/4"

[2242]

5'

[1524]

1'-1 1/2"

[343]

2'-11"

[889]

2'-11"

[889]

8'-4 3/4"

[2559]