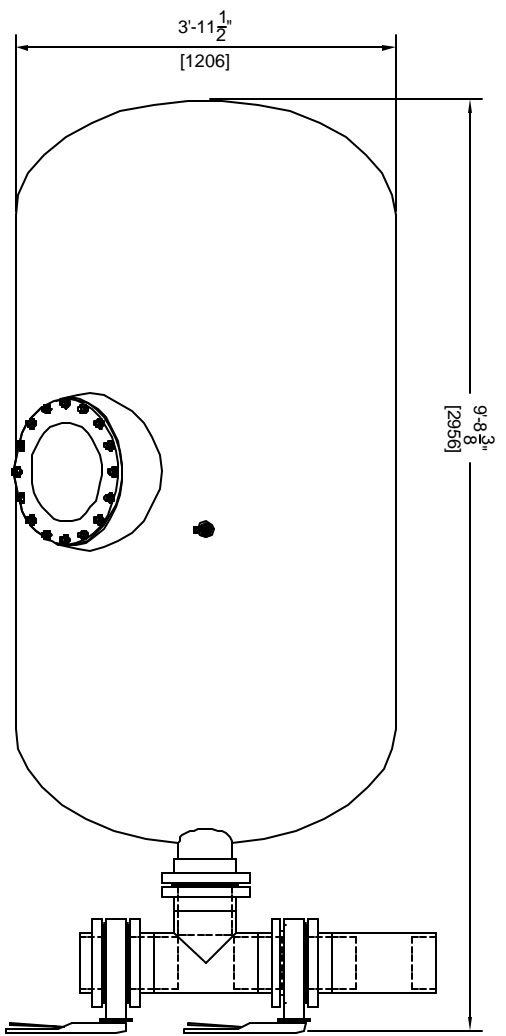


- GENERAL NOTES:**
1. MEDIA NOT INCLUDED WITH FILTER
 2. CONCRETE SLAB TO BE DESIGNED BY OTHERS
 3. FILTER MADE FROM HIGH STRENGTH FIBERGLASS AND RESINS
 4. FILTERS HAVE UV STABILIZED CLEAR COAT
 5. ALL INTERNAL COMPONENTS ARE CONSTRUCTED OF SCHEDULE 80 PVC.
 6. MANHOLE CAN BE LOCATED ON EITHER SIDE OF FILTER. PLEASE SPECIFY AT TIME OF ORDER.
 7. SAND DRAIN AND WATER DRAIN ARE PLACED ON THE SAME SIDE AS THE MANHOLE.



FILTER DATA	
TOTAL SURFACE AREA:	29 SQ. FT.
MAX WORKING PRESSURE:	50 PSI.
MAX FLOW RATE:	20 GPM / SQ. FT.
MEDIA REQUIREMENTS	
SAND:	2,700 LBS
GRAVEL:	1,600 LBS
WEIGHTS	
FILTER SHIPPING WEIGHT	726 LBS
FILTER OPERATING WEIGHT:	8,895 LBS

ASTRAL POOL

USA

HORIZONTAL SAND FILTER (20897)
48"x91" WITH 6" 4 VALVE MANIFOLD

SCALE: 1/2" = 1'
DRAWN BY: MM
DATE: 10/1/02
DWG. NO.: 20897-2
CHECKED:
REV.: