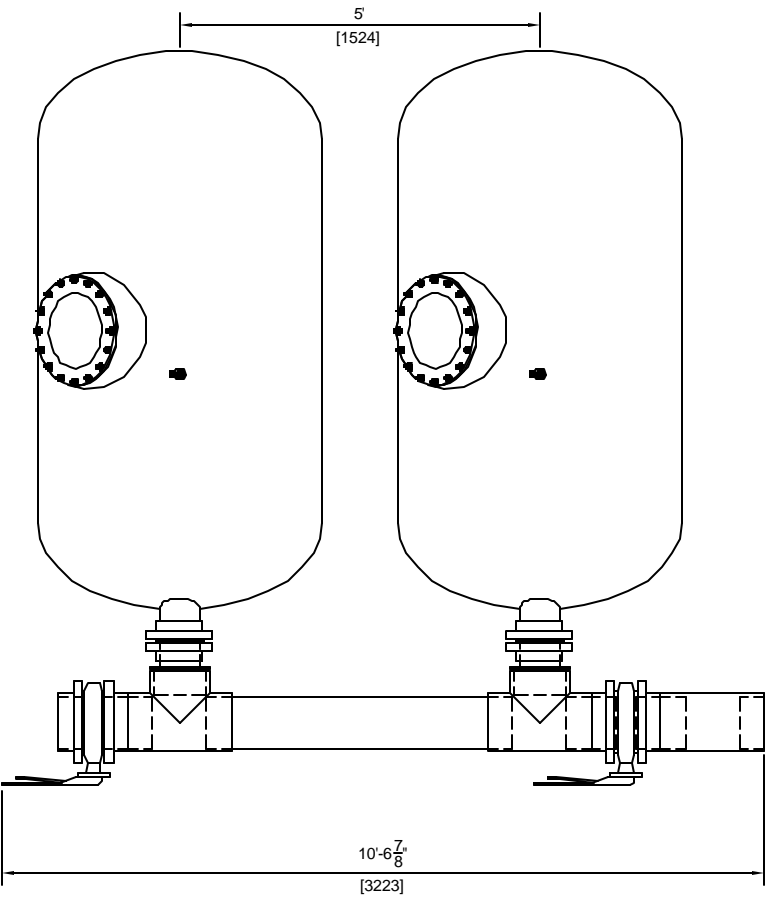


- GENERAL NOTES:**
1. MEDIA NOT INCLUDED WITH FILTER
 2. CONCRETE BLAB TO BE DETERMINED BY OTHERS
 3. FILTER MADE FROM HIGH STRENGTH FIBERGLASS AND RESINS
 4. FILTERS HAVE UV STABILIZED CLEAR COAT
 5. ALL INTERNAL COMPONENTS ARE CONSTRUCTED OF SCHEDULE 80 PVC.
 6. MANHOLE CAN BE LOCATED ON EITHER SIDE OF FILTER. PLEASE SPECIFY AT TIME OF ORDER.
 7. SAND DRAIN AND WATER DRAIN ARE PLACED ON THE SAME SIDE AS THE MANHOLE.



FILTER DATA	
TOTAL SURFACE AREA:	58 SQ. FT.
MAX WORKING PRESSURE:	50 PSI.
MAX FLOW RATE:	20 GPM / SQ. FT.
MEDIA REQUIREMENTS	
SAND:	2,700 LBS. EA.
GRAVEL:	1,600 LBS. EA.
WEIGHTS	
FILTER SHIPPING WEIGHT:	726 LBS. EA.
FILTER OPERATING WEIGHT:	18,750 LBS.



DUAL HORIZONTAL SAND FILTER (20897)
48"X91" WITH 8" 5 VALVE MANIFOLD

DRAWN BY:	MM	DATE:	10/14/02
ENG. NO.:	20897-6	CHECKED:	
REV.:			

SCALE: 3/8" = 1"