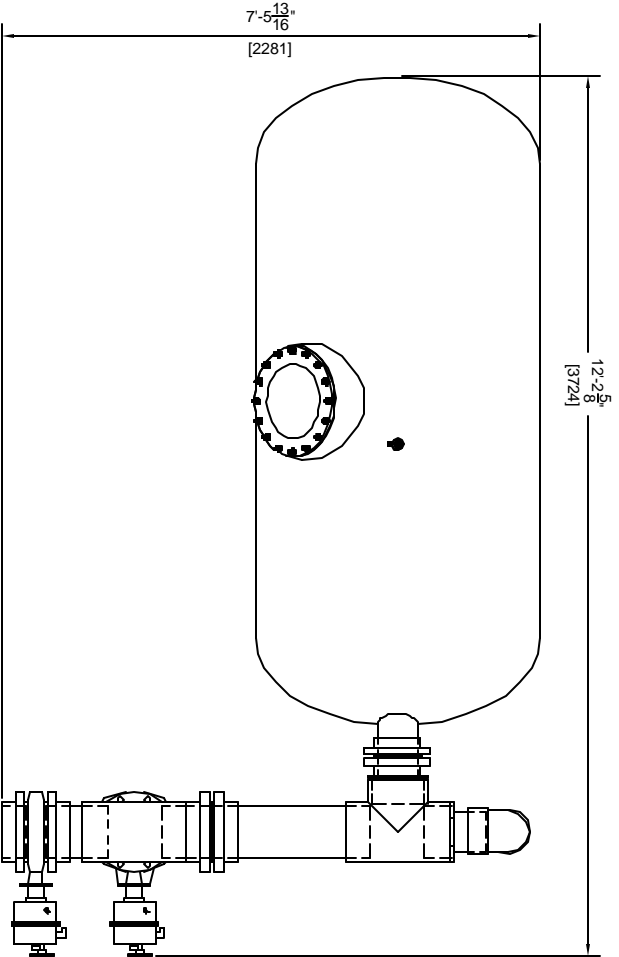
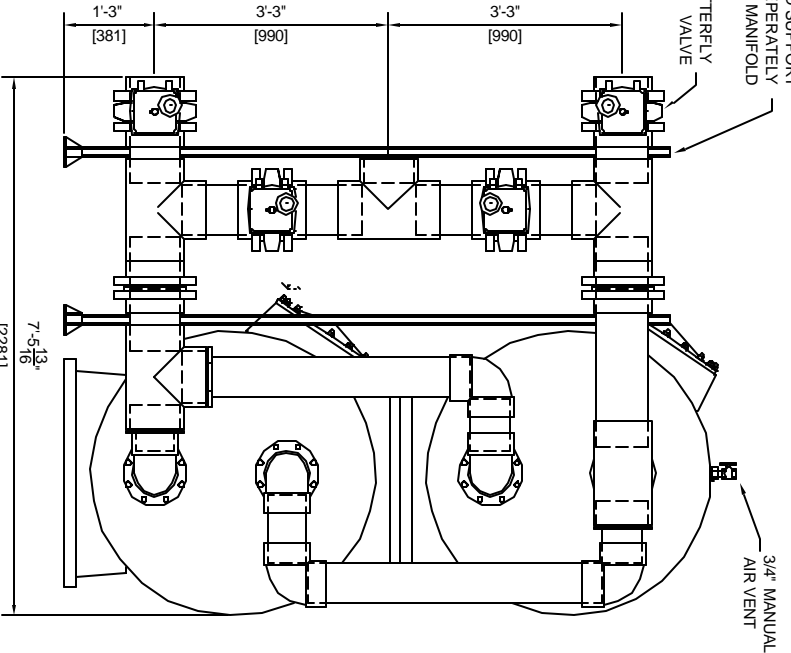


MANIFOLD SUPPORT
ORDERED SEPARATELY
RECOMMEND 2 PER MANIFOLD

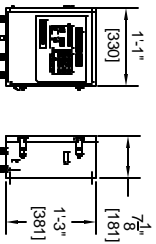


- GENERAL NOTES:**
1. MEDIA NOT INCLUDED WITH FILTER
 2. CONCRETE SLAB TO BE DESIGNED BY OTHERS
 3. FILTER MADE FROM HIGH STRENGTH FIBERGLASS AND RESINS
 4. FILTERS HAVE UV STABILIZED CLEAR COAT SCHEDULE 80 PVC.
 5. ALL INTERNAL COMPONENTS ARE CONSTRUCTED OF
 6. MANHOLE CAN BE LOCATED ON EITHER SIDE OF FILTER. PLEASE SPECIFY AT TIME OF ORDER.
 7. SAND DRAIN AND WATER DRAIN ARE PLACED ON THE SAME SIDE AS THE MANHOLE.

FILTER DATA

TOTAL SURFACE AREA:	68 SQ. FT.
MAX WORKING PRESSURE:	50 PSI.
MAX FLOW RATE:	20 GPM / SQ. FT.
MEDIA REQUIREMENTS	
SAND:	3,200 LBS EA.
GRAVEL:	1,800 LBS EA.
WEIGHTS	
FILTER SHIPPING WEIGHT:	858 LBS EA.
FILTER OPERATING WEIGHT:	22,200 LBS

**AUTOMATIC
CONTROL PANEL**



HORIZONTAL SAND FILTER (20898)
48" X 106" W/ 8" 4 VALVE AUTO MANIF. STACKED



DRAWN BY:	MM	DATE:	10/14/02
ENG. NO.:	20898-4 AUTO	CHECKED:	
SCALE:	3/8" = 1"	REV.:	