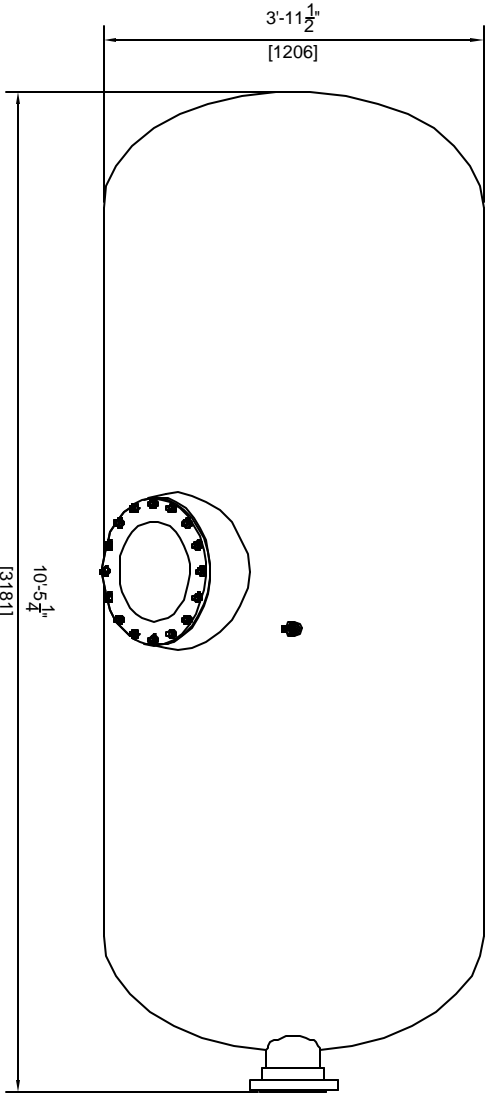
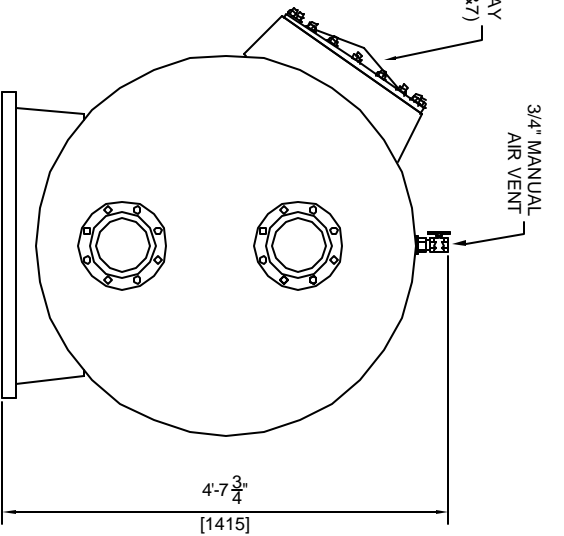


- GENERAL NOTES:**
1. MEDIA NOT INCLUDED WITH FILTER
  2. CONCRETE SLAB TO BE DESIGNED BY OTHERS
  3. FILTER MADE FROM HIGH STRENGTH FIBERGLASS AND RESINS
  4. FILTERS HAVE UV STABILIZED CLEAR COAT
  5. ALL INTERNAL COMPONENTS ARE CONSTRUCTED OF SCHEDULE 80 PVC.
  6. MANHOLE CAN BE LOCATED ON EITHER SIDE OF FILTER. PLEASE SPECIFY AT TIME OF ORDER.
  7. SAND DRAIN AND WATER DRAIN ARE PLACED ON THE SAME SIDE AS THE MANHOLE.



FILTER DATA	
TOTAL SURFACE AREA:	38 SQ. FT.
MAX WORKING PRESSURE:	50 PSI.
MAX FLOW RATE:	20 GPM / SQ. FT.
MEDIA REQUIREMENTS	
SAND:	3,500 LBS
GRAVEL:	2,100 LBS
WEIGHTS	
FILTER SHIPPING WEIGHT:	957 LBS
FILTER OPERATING WEIGHT:	11,389 LBS

**ASTRAL POOL**  
USA

**HORIZONTAL SAND FILTER (20899)**  
48" x 118" WITH 6" CONNECTIONS

DRAWN BY:	MM	DWG. NO.:	20899	REV.:
SCALE: 1/2" = 1'	DATE: 10/21/02	CHECKED:		