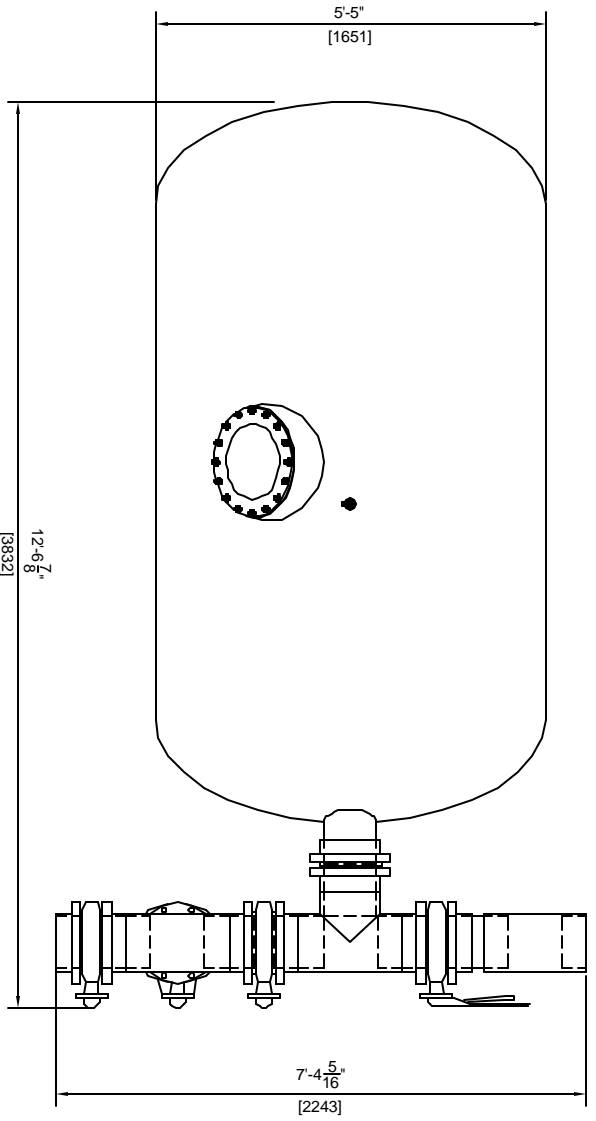


- GENERAL NOTES:**
1. MEDIA NOT INCLUDED WITH FILTER
 2. CONCRETE SLAB TO BE DEMONISHED BY OTHERS
 3. FILTER MADE FROM HIGH STRENGTH FIBERGLASS AND RESIN
 4. FILTERS HAVE UV STABILIZED CLEAR COAT
 5. ALL INTERNAL COMPONENTS ARE CONSTRUCTED OF SCHEDULE 80 PVC
 6. MANHOLE CAN BE LOCATED ON EITHER SIDE OF FILTER. PLEASE SPECIFY AT TIME OF ORDER
 7. SAND DRAIN AND WATER DRAIN ARE PLACED ON THE SAME SIDE AS THE MANHOLE



FILTER DATA

TOTAL SURFACE AREA:	51 SQ. FT.
MAX WORKING PRESSURE:	50 PSI.
MAX FLOW RATE:	20 GPM / SQ. FT.
MEDIA REQUIREMENTS	
SAND:	6,100 LBS
GRAVEL:	3,550 LBS
WEIGHTS	
FILTER SHIPPING WEIGHT:	1,540 LBS
FILTER OPERATING WEIGHT:	19,890 LBS



HORIZONTAL SAND FILTER (20903)
 63"x120" WITH 8" 5 VALVE MANIFOLD

DRAWN BY:	MM	DATE:	10/31/02
REV:	20903-3	CHECKED:	

SCALE: 3/8" = 1"